

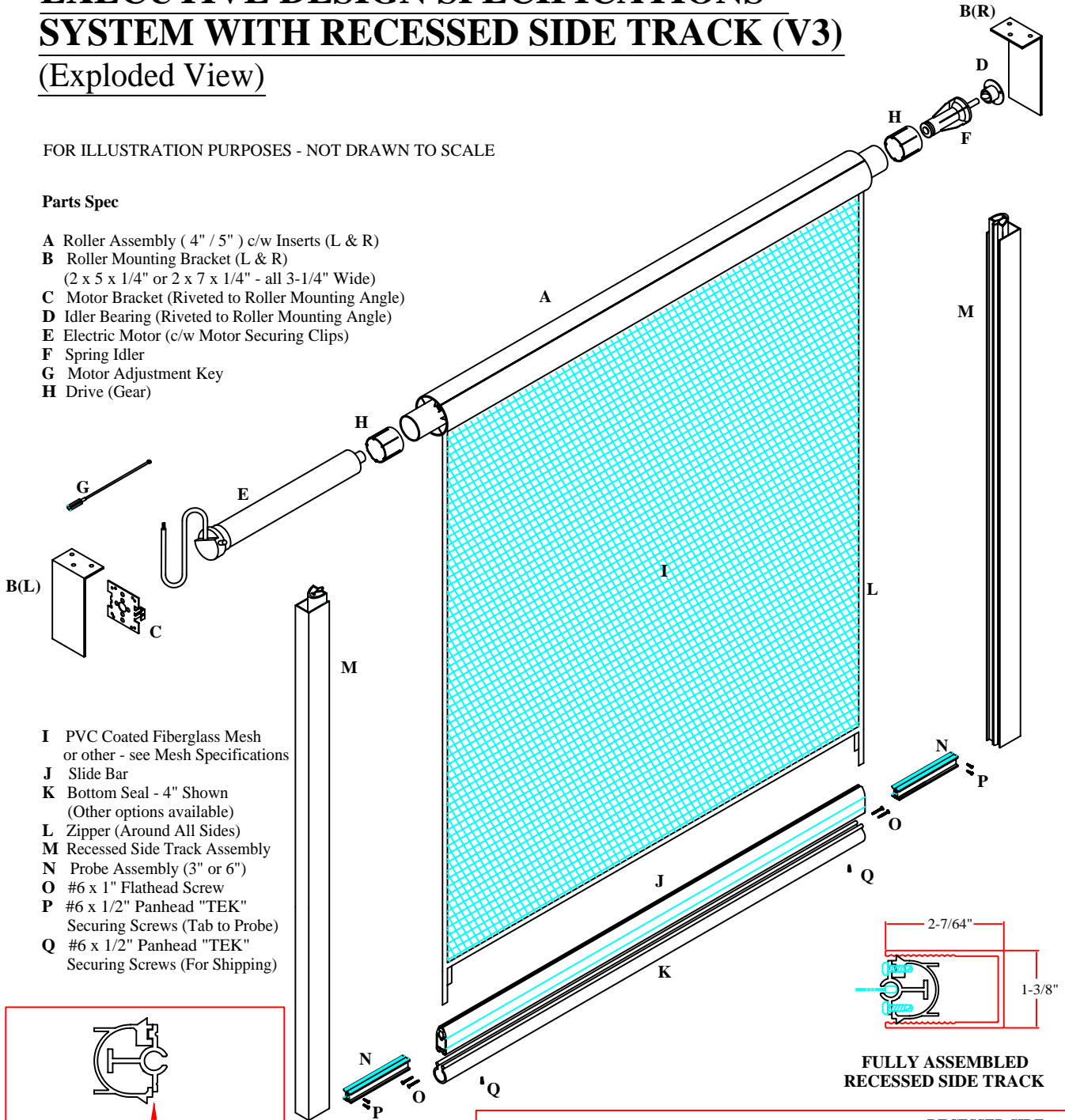
EXECUTIVE DESIGN SPECIFICATIONS - SYSTEM WITH RECESSED SIDE TRACK (V3) (Exploded View)

FOR ILLUSTRATION PURPOSES - NOT DRAWN TO SCALE

Parts Spec

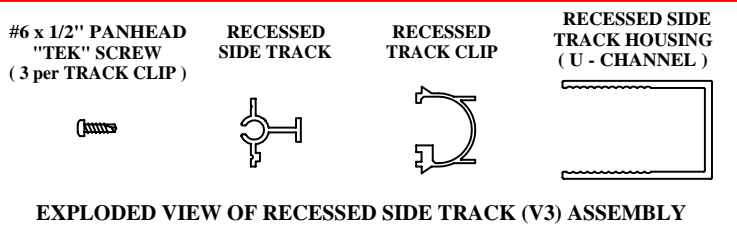
- A Roller Assembly (4" / 5") c/w Inserts (L & R)
- B Roller Mounting Bracket (L & R)
(2 x 5 x 1/4" or 2 x 7 x 1/4" - all 3-1/4" Wide)
- C Motor Bracket (Riveted to Roller Mounting Angle)
- D Idler Bearing (Riveted to Roller Mounting Angle)
- E Electric Motor (c/w Motor Securing Clips)
- F Spring Idler
- G Motor Adjustment Key
- H Drive (Gear)

- I PVC Coated Fiberglass Mesh or other - see Mesh Specifications
- J Slide Bar
- K Bottom Seal - 4" Shown
(Other options available)
- L Zipper (Around All Sides)
- M Recessed Side Track Assembly
- N Probe Assembly (3" or 6")
- O #6 x 1" Flathead Screw
- P #6 x 1/2" Panhead "TEK" Securing Screws (Tab to Probe)
- Q #6 x 1/2" Panhead "TEK" Securing Screws (For Shipping)



For ease of adjustment, the placement of the Track Clip should be such that the leg, indicated, is situated on the front side of the Recessed Side Track Housing.

RECESSED SIDE TRACK INSTALLATION NOTE



RECESSED TRACK CLIP IS 3" LONG AND PLACED EVERY 2'